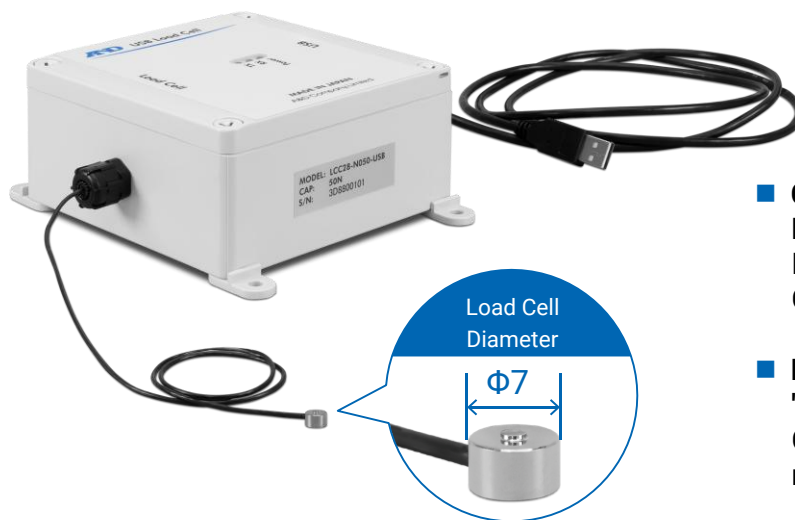


USB Button Load Cell for Force Measurement

LCC28-USB Series



Ideal for Simple Force Measurements in Experiments and Evaluations



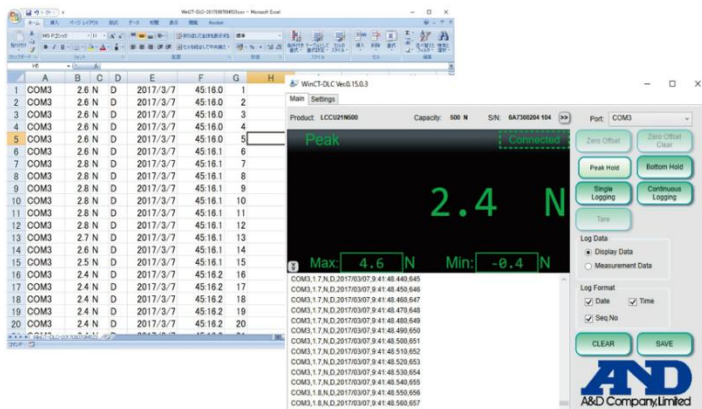
- **Compact Digital Button Load Cell for Force Measurement**
Pre-calibrated, no indicator required.
Can be connected directly to a PC.

- **Easy Measurement with Freeware "Win-CT-DLC"**
Connect to a PC via USB for simple measurements.

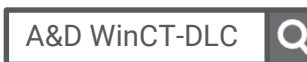
Windows Data Acquisition Software "WinCT-DLC"

WinCT-DLC is software designed to import measurement data from A&D's USB digital load cell series to a PC. Measurement results can be saved as CSV or Excel format.

(Note) This software is for data acquisition only and does not have control functions like an indicator.



Available for download from our website.



<https://www.aandd.jp/products/software/software.html#winct-dlc>

System Requirements

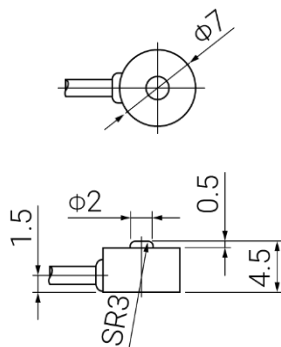
- OS: Windows 7 / 8.1 / 10 (64-bit)
- Memory: 4 GB or more
- Hard Disk: 20 GB or more
- NET Framework 4.5 or higher installed

Note:

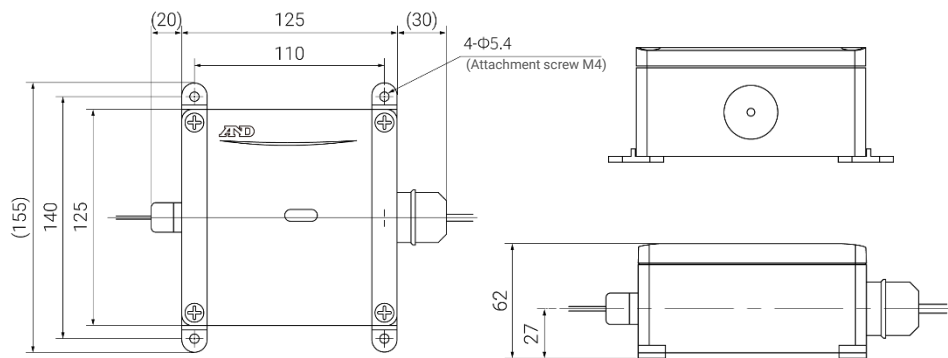
- It also works on 32-bit systems, but operation is not guaranteed.
- When extracting the downloaded zip file, access may be blocked. In such cases, right-click the zip file, open Properties, and select "Unblock" in the General tab before attempting to extract it again.

External Dimensions

Load Cell



Conversion Box



Specifications

Model	LCC28N050-U	LCC28N100-U	LCC28N200-U	LCC28N500-U
Rated capacity	50 N (5.099 kg)	100 N (10.20 kg)	200 N (20.39 kg)	500 N (50.99 kg)
Rated output	50.0000 ±0.2500 [N]	100.000 ±0.500 [N]	200.000 ±1.000 [N]	500.000 ±2.500 [N]
Deflection amount	0.01 mm			
Natural frequency (Load cell only)	80 kHz	100 kHz	116 kHz	115 kHz
Non-linearity	0.5% of R.O.			
Hysteresis	0.5% of R.O.			
Repeatability	0.5% of R.O.			
Power supply voltage	5 VDC (USB bus power)			
Average current consumption (Reference value)	60 mA or less			
Zero balance	±10% of R.O.			
Temperature effect on zero point	1.1% of R.O. / 10 °C			
Temperature effect on span	1.1% of Load / 10 °C			
Temperature compensation range	5 °C to 50 °C			
Safe overload	120% of R.C.			
Cable	Load cell cable: φ1.6 mm / 0.4 m USB cable: φ4 mm / 1.2 m / Type-A			
Load cell material	Beryllium copper	Stainless steel		
Conversion box material	Polycarbonate			
Weight	0.5 kg			
A/D conversion rate	100 times/s			
Digital filter	Select from None, 0.7, 1.0, 1.4, 2.0, 2.8, 4.0, 5.6, 8.0, 11.0 Hz (Initial value 1.0 Hz)			
Communications standard	USB Ver.2.0 Full Speed			
Communication Settings	Baud rate	38400 bps		
	Character bit length	8 bits		
	Parity	Even		
	Stop bit length	1 bit		
	Terminator	CRLF		
	Code	ASCII		



Discover Precision

A&D Company, Ltd. (JAPAN)

URL: aandd.jp

A&D Engineering, Inc. (USA)

URL: andonline.com

A&D Australasia Pty Ltd. (Australia)

URL: andaustralasia.com.au

A&D Instruments Ltd. (United Kingdom)

URL: andprecision.com

A&D Korea Ltd. (South Korea)

URL: andk.co.kr

A&D Rus Co., Ltd. (Russia)

URL: and-rus.ru

A&D Instruments India (P) Ltd. (India)

URL: aanddindia.in

A&D Sciencetech Taiwan Ltd. (Taiwan)

URL: aandd.com.tw

A&D Instruments Thailand Ltd. (Thailand)

URL: thai.andprecision.com

A&D Technology Trading (Shanghai) Co., Ltd. (China)

URL: aanddtech.cn