

Single-point Aluminum Load Cell

LCB25 Series

AND
A&D Weighing

Compact and light for an installation in limited space.

Simple design for cost reduction ideal for low capacity scales.

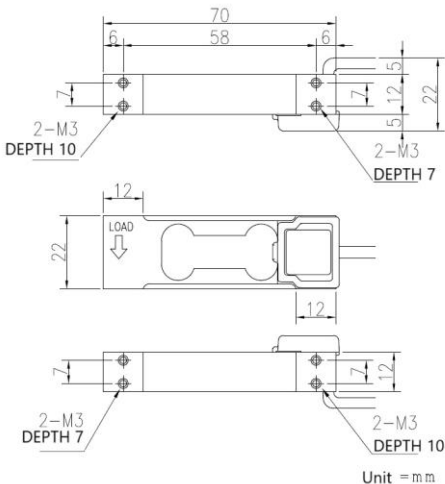
Moisture-proof, four-corner adjusted, tension and compression Load cell.



Model No.	Capacity
LCB25-G500	4.903N(500g)
LCB25-K001	9.807N(1kg)
LCB25-K002	19.61N(2kg)
LCB25-K003	29.42N(3kg)

Specifications

External View



	LCB25-G500	LCB25-K001/K002/K003
Rated output	1 mV/V $\pm 10\%$	2 mV/V $\pm 10\%$
Safe load limit	300 % of R.C.	150 % of R.C.
Ultimate safe overload	400 % of R.C.	200 % of R.C.
Combined error	0.02 % of R.O.	
Zero balance	10 % of R.O.	
Recommended excitation voltage	DC5 ~ 25 V	
Max. excitation voltage	DC25 V	
Input terminal resistance	1.17 k Ω $\pm 100\Omega$	
Output terminal resistance	1 k Ω $\pm 10\Omega$	
Insulation resistance	2,000 M Ω /DC 50V	
Compensated temp. range	- 10 $^{\circ}$ C ~ 40 $^{\circ}$ C	
Temp. effect on Zero balance	0.023 % of R.O./10 $^{\circ}$ C	
Temp. effect on span	0.014 % of Load/10 $^{\circ}$ C Typ.	
Cable Dia. And length	Φ 3.5 / 0.4 m	
Dust/Water proof	IP65	
Material	Aluminum	
Maximum Platform size	200 \times 200 mm	
Net Weight	50 g approx.	

AND
A&D Weighing

Discover Precision

A&D Company, Ltd. (JAPAN)
URL: aandd.jp
A&D Engineering, Inc. (USA)
URL: andonline.com
A&D Australasia Pty Ltd. (Australia)
URL: andaustralasia.com.au
A&D Instruments Ltd. (United Kingdom)
URL: andprecision.com
<German Sales Office>
URL: andprecision.com

A&D Korea Ltd. (South Korea)
URL: andk.co.kr
A&D Rus Co., Ltd. (Russia)
URL: and-rus.ru
A&D Instruments India (P) Ltd. (India)
URL: aaindindia.in
A&D Sciencetech Taiwan Ltd. (Taiwan)
URL: aaind.com.tw
A&D Instruments Thailand Ltd. (Thailand)
URL: thai.andprecision.com