

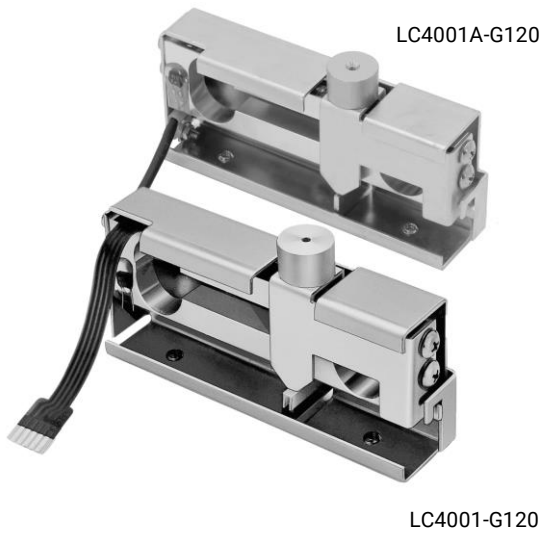
Single-point Compact Load Cell LC4001/LC4001A



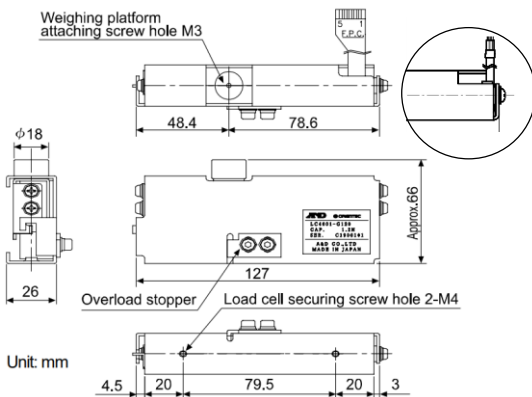
Compact and lightweight
Readability as high as 10 mg*
Tension/compression type
Moisture-proofed, corner adjusted

Specifications

	LC4001-G120	LC4001A-G120
Rated capacity (R.C.)	1.2 N (122.4 g)	
Rated output (R.O.)	0.4079 mV/V or greater	
Safe load limit	300% of R.C.	
Ultimate safe overload	1,000% of R.C.	
Combined error	0.015% of R.O.	
Recommended excitation voltage	5 V to 12 V DC	
Maximum excitation voltage	15 V DC	
Zero balance	40 ±25% of R.O.	
Input terminal resistance	Approx. 400 Ω	
Output terminal resistance	350 Ω ±5 Ω	
Insulation resistance	500 MΩ or greater at 50 V DC	
Temperature compensation range	-5°C to 35°C	
Temperature effect on zero point	0.14% of R.O./10°C	
Temperature effect on span	0.02% of Load/10°C Typ.	
Cable thickness/length	F.P.C. 75 mm	Φ4/1.5 m
Maximum platform size	120 mm × 120 mm	
Material	Aluminum	
Dustproof/waterproof	IP22	
Weight	270 g approx.	300 g approx.
Deflection amount	0.24 mm	
Natural frequency	50 Hz	
Allowable moment	0.017 N·m	



External View



LC4001-G120 cable is FPC
LC4001A-G120 cable is 4-conductor shielded

LC4001A-G120	LC4001-G120
Cable color code	FPC pin assignment
RED: EXC+	1. EXC-
WHITE: EXC-	2. SIG-
GREEN: SIG+	3. EXC+
BLUE: SIG-	4. SIG+
YELLOW: SHIELD	5. N.C.

*The minimum display achievable when connected to an indicator whose input sensitivity is 0.15 μV/d or less (instability due to the combined error is not considered).



Discover Precision

A&D Company, Ltd. (JAPAN)
URL: aandd.jp
A&D Engineering, Inc. (USA)
URL: andonline.com
A&D Australasia Pty Ltd. (Australia)
URL: andaustralasia.com.au
A&D Instruments Ltd. (United Kingdom)
URL: andprecision.com
<German Sales Office>
URL: andprecision.com

A&D Korea Ltd. (South Korea)
URL: andk.co.kr
A&D Rus Co., Ltd. (Russia)
URL: and-rus.ru
A&D Instruments India (P) Ltd. (India)
URL: aanddindia.in
A&D Sciencetech Taiwan Ltd. (Taiwan)
URL: aandd.com.tw
A&D Instruments Thailand Ltd. (Thailand)
URL: thai.andprecision.com