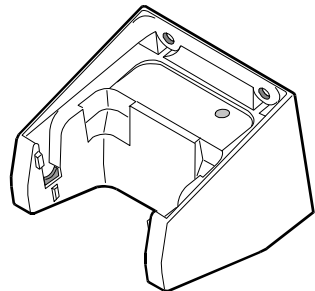


## Charging hanger AX-HA-CHG Instruction Manual



© 2014 A&D Company, Limited. All rights reserved.

- No part of this publication may be reproduced, transmitted, transcribed, or translated into any language in any form by any means without the written permission of A&D Company, Limited.
- The contents of this manual and the specifications of the instrument covered by this manual are subject to change for improvement without notice.



1WMPD4003017A

### Safety Use

When using this device, be sure to observe the following:

#### ⚠ Caution

- Do not disassemble the product. Any damage or loss of functions caused by disassembly is not covered by warranty.
- Do not link more than three charging hangers. Linking four units or more may cause fire or damage the units or the PA/PB series of electronic pipettes.

### Caution During Use

#### ⚠ Caution

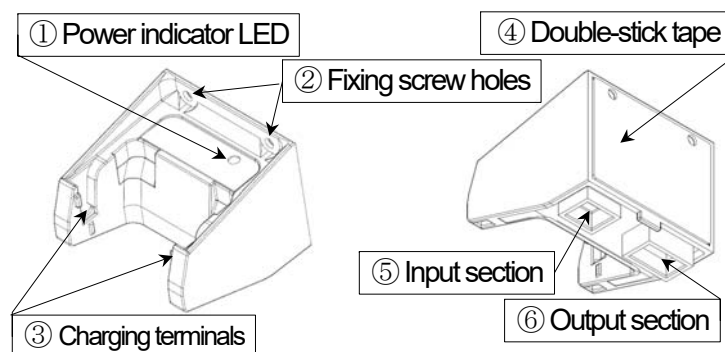
- Use the AC adapter provided for the PA/PB series of electronic pipettes, otherwise the charging hanger, the PA/PB electronic pipettes, or the power supply devices may be damaged.

### 1. Introduction

This manual describes how the AX-HA-CHG charging hanger works. Please read this manual carefully before using the hanger in order to get the most out of its performance. Please read the manual for the PA/PB series of electronic pipettes as well.

### 2. Unpacking the Charging Hanger

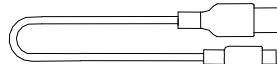
- Charging hanger main unit
- Self tapping screw, 4 mm diameter x L8 mm (2 pcs)
- Linking cable (AX-KO4730-10)
- Instruction manual (This manual)



Charging hanger main unit



Self tapping screw, (2 pcs)  
For plastic and wood



Linking cable (10 cm long)  
(AX-KO4730-10)

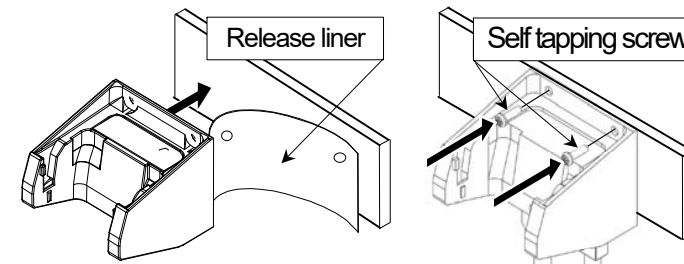
- ① Power indicator LED: Lights up in green when power is supplied to the charging hanger.
- ② Fixing screw holes: Used when securing the charging hanger with screws
- ③ Charging terminals: Receive the PA/PB series of electronic pipettes for charging
- ④ Double-stick tape: Used for securing the charging hanger to a Wall, etc.
- ⑤ Input section: Connects with the cable from the AC adapter (connects with Mini USB – Type B)
- ⑥ Output section: Used for linking multiple charging hangers

### 3. Features

- Charging starts when the PA/PB electronic pipette is hooked onto the charging hanger.
- The charging hanger can be freely mounted to a wall, rack, etc. (secured with double-stick tape or screws).
- With use of the linking cable, one AC adapter can supply power to more than one charging hanger (up to three units).

### 4. How to Use

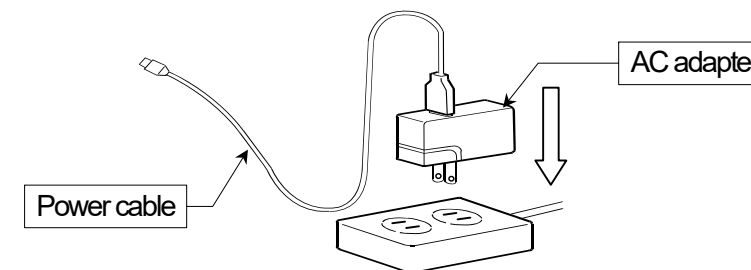
- ① Secure the charging hanger to a wall or rack with the double-stick tape after removing dirt from the surface (securing with screws is also possible).



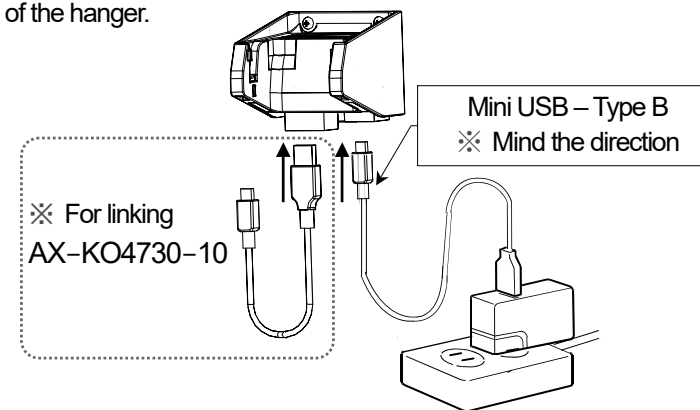
Securing with double-stick tape

Securing with screws

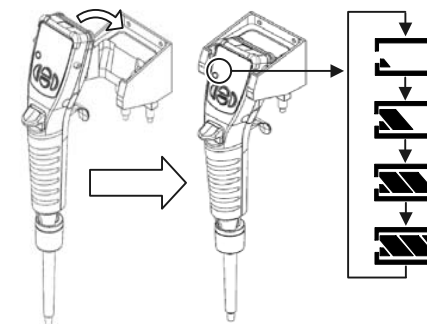
- ② Prepare the AC adapter and power cable that come with the electronic pipette.
- ③ Connect the power cable to the AC adapter and insert the AC adapter into a power source.



- ④ Connect the power cable (Mini USB – Type B) to the input section of the charging hanger. The power indicator LED (green) will light up.
- ※ To link multiple units, connect the linking cable to the output section of the hanger.



- ⑤ Hook the electronic pipette onto the charging terminals of the hanger to begin charging. Once charging starts the battery indicator at the bottom left of the pipette display will blink as shown in the following figure.



- ⑥ Charging is complete when the battery indicator of the pipette is fully lit.

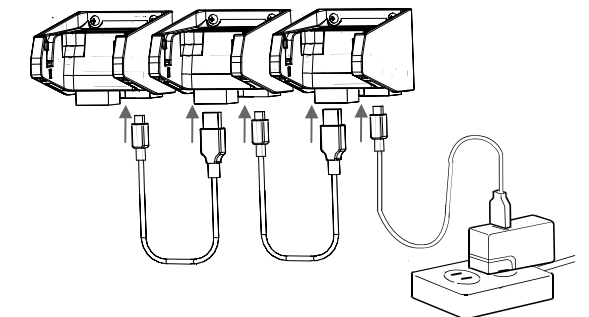


Fully charged

- ⑦ The electronic pipette can continue to be hooked to the charging hanger after it is fully charged. (It will not be recharged.)

### 5. Linking Multiple Units

- Up to three charging hangers can be used in conjunction. (Two linking cables are required.)



### 6. Specification

Input (AC adapter)	AC 100 V / 0.3 A (50 / 60 Hz)
Input section / output section	5 V
Connectable devices	PAPB series
Number of units linkable	3 units maximum
Dimensions	60 (W) × 50 (H) × 58 (D) mm
Net weight	Approx. 50 g (Excluding AC adapter and Linking cable)

### 7. Accessories

- Linking cable ..... AX-KO4730-10
- Dedicated AC adapter for the PA/PB series ..... AX-TB-283  
(Standard accessory for the PA/PB series of electronic pipettes)