

AD-4329A-07

ANALOG OUTPUT

INSTRUCTION MANUAL



1WMPD4003151

© 2015 A&D Company Ltd. All rights reserved.

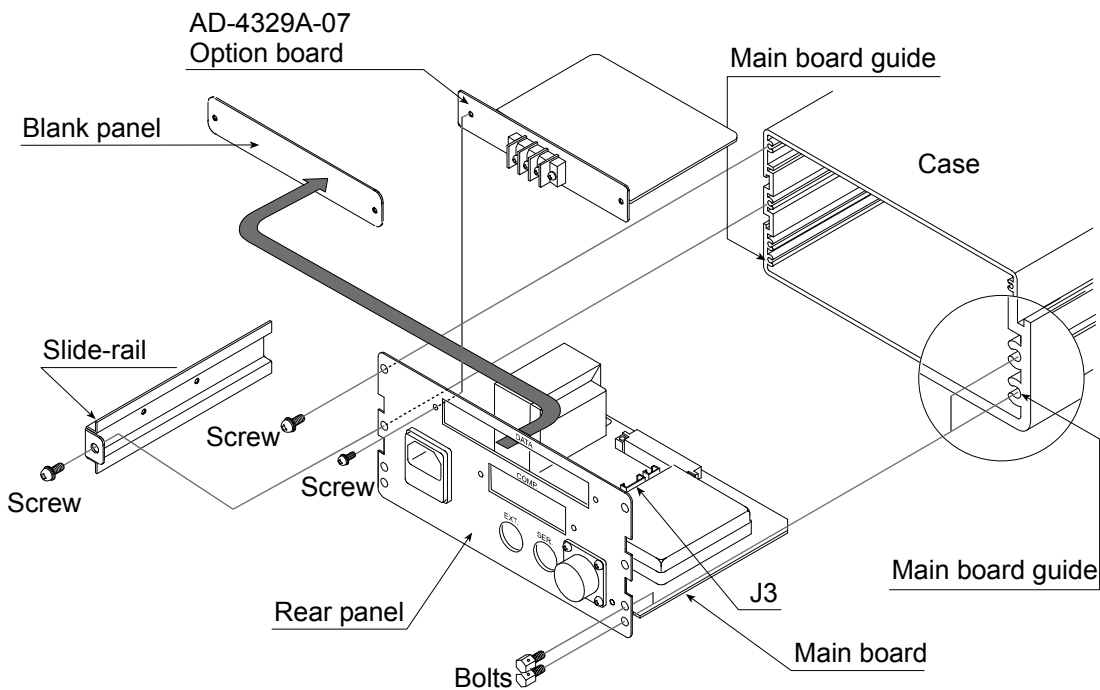
No part of this publication may be reproduced, transmitted, transcribed, or translated into any language in any form by any means without the written permission of A&D Company Ltd.

The contents of this manual and the specifications of the instrument covered by this manual are subject to change for improvement without notice.

1. Installation

Install the AD-4329A-07 option board as described below:

1. Remove the power cord and other cables from the indicator.
2. Remove four screws and four bolts from the rear panel.
3. Remove two slide-rails, one on each side.
4. Pull out the rear panel and main board from the case. Then the connector between the main board and the display board may be disconnected smoothly.
5. Remove two screws and the large blank panel from the indicator's rear panel.
6. Install the AD-4329A-07 option board on the rear panel from inside. Fasten the board to the rear panel from outside, using the two screws removed in step 5.
7. Connect the option cable to the option board connector and to the main board J3 connector, using much care as to the connector direction.
8. Insert the main board into the both main board guides. Then the connector between the main board and the display board is re-connected. If the rear panel will not close completely, retry step 8 to insert the main board correctly.
9. Attach both slide-rails. Fasten the rear panel using four screws and bolts removed in step 2.



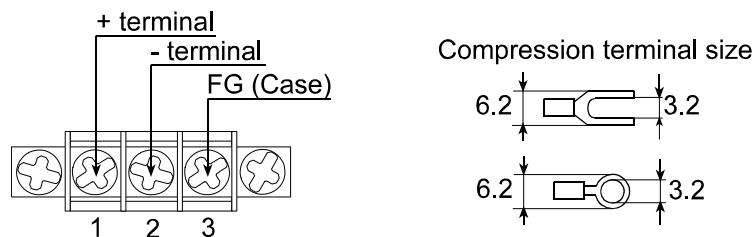
Note: Do not remove or loosen any screws other than those described above.

2. Specifications

AD-4329A-07	Analog output
Current output	4mA to 20mA
	Outputs 4mA or less when the display is turned off or the indicator is in a mode other than the weighing data displaying mode, such as calibration.
	Outputs 20mA or more at overload display.
Non-linearity	±0.1%FS max.
Load resistance	0Ω to 520Ω
Zero temperature coefficient	±0.02 %FS/°C max.
Span temperature coefficient	±0.02 %FS/°C max.
Resolution	Approx. 1/3000
Output adjustment	SPAN control and ZERO control located on the option board
Terminal	M3 compression terminal

Note: Analog output can not be used at the same time as RS-232C output or other options except OP-02.

Pin Connection



Related settings

Settings related to analog output are performed by the function settings, *F-60*, *F-61*, and *F-62*.

For details on the setting procedure, refer to the AD-4329A instruction manual.

Item	Parameter	Description
Output data	<i>F-60</i> 0	Displayed value
	<i>F-60</i> 1	Gross data
	<i>F-60</i> 2	Net data
Value at 4mA output	<i>F-61</i>	-999999 to 999999 (Factory setting: 0) The decimal point position depends on the [F-00] setting.
Value at 20mA output	<i>F-62</i>	-999999 to 999999 (Factory setting: 10000) The decimal point position depends on the [F-00] setting.

Note: To confirm the F-61 and F-62 settings, press the  key and proceed to the next item. Do not press the **MODE key.**

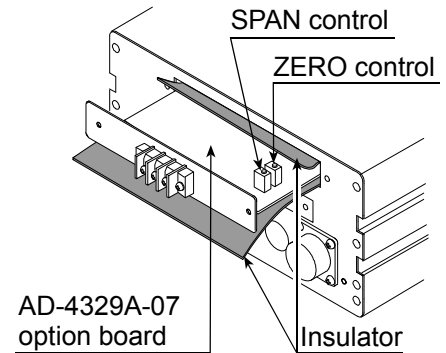
3. Adjustment

- The output current has been adjusted before shipment at the factory. Under ordinary conditions, no adjustment is required.
- For adjustment, there are two adjustment controls located on the option board.
- The output current adjustment mode, to specify the target current, is available.

Caution: When adjusting, use an insulator to avoid the option board from touching the panel.

Adjustment controls

- SPAN control Changes the span of 4mA to 20mA.
Turning the control clockwise will make the span greater.
- ZERO control Changes 4mA current output. Turning the control clockwise will make the output current greater.



Output current adjustment mode

1. Remove the power cord. Refer to "1. Installation" to pull the option board out far enough to access the adjustment controls and insulate the board. Then, reconnect the power cord to the indicator.
2. Turn the display off. While holding down the **MODE** key, press the **OPR/STB** key. **F-00** appears on the display.
3. Press the **MODE** key to display **r-xxx**. (XXX = numbers)
4. Press the **M+** key to display **CHECK**.
5. Press the **←** key. All the display segments illuminate
6. Press the **MODE** key three times to display **70000**.
7. While holding down the **PRESET TARE** key, press the **OPR/STB** key. **Rn** appears on the display.
8. Press the **←** key to display **Rn X**. (X = output current value)
9. Use the following keys to change the output current value.
Using an ammeter, make an adjustment using the two adjustment controls so that the displayed value is obtained.
→ key to switch the output current value between 4mA and 20mA.
^ key to increase the output current value by 2mA in the range of 2mA to 22mA.
10. When adjustment is complete, press the **MODE** key. Then, press the **OPR/STB** key to turn the display off. Remove the power cord. Install the option board as before.