

AD-4329A-03

RS-422/485 INTERFACE

INSTRUCTION MANUAL



1WMPD4003008

© 2014 A&D Company Ltd. All rights reserved.

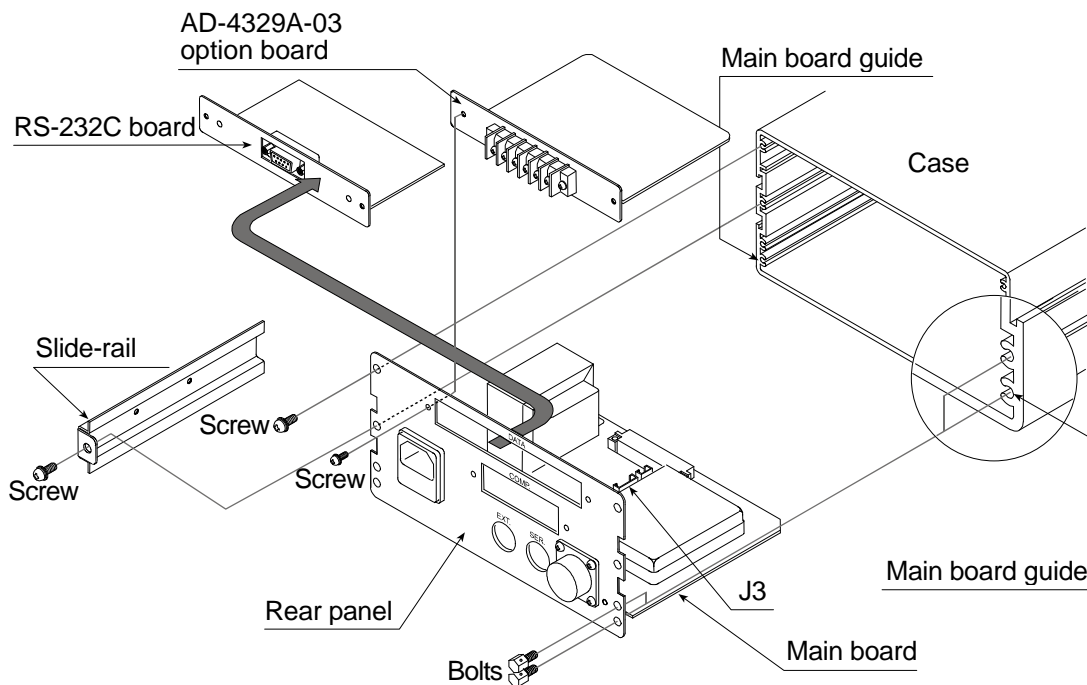
No part of this publication may be reproduced, transmitted, transcribed, or translated into any language in any form by any means without the written permission of A&D Company Ltd.

The contents of this manual and the specifications of the instrument covered by this manual are subject to change for improvement without notice.

1. Installation

Install the AD-4329A-03 option board as described below:

1. Remove the power cord and other cables from the indicator.
2. Remove four screws and four bolts from the rear panel.
3. Remove two slide-rails, one on each side.
4. Pull out the rear panel and main board from the case. Then the connector between the main board and the display board may be disconnected smoothly.
5. Remove two screws and the RS-232C board from the indicator's rear panel.
6. Install the AD-4329A-03 option board on the rear panel from inside. Fasten the board to the rear panel from outside, using the two screws removed in step 5.
7. Connect the option cable to the option board connector and to the main board J3 connector, using much care as to the connector direction.
8. Insert the main board into the both main board guides. Then the connector between the main board and the display board is re-connected. If the rear panel will not close completely, retry step 8 to insert the main board correctly.
9. Attach both slide-rails. Fasten the rear panel using four screws and bolts removed in step 2.

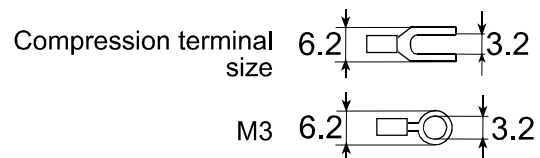
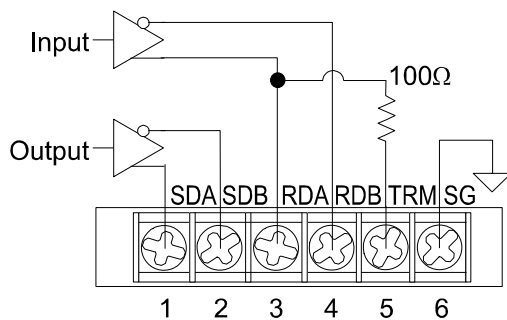


Note: Do not remove or loosen any screws other than those described above.

2. Specifications

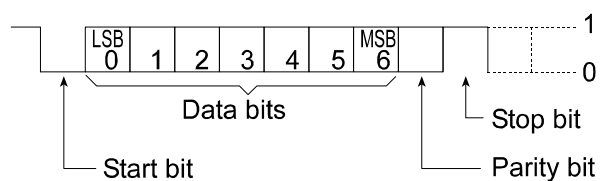
AD-4329A-03	RS-422 / 485 interface
Transmission	Asynchronous, half-duplex
Baud rate	600, 1200, 2400, 4800, 9600 bps
Data bits	7 bits
Parity bits	1 bit, Even
Start bit	1 bit
Stop bit	1 bit
Code	ASCII
Terminator	CR LF (CR: 0Dh, LF: 0Ah)
Number of indicators to be connected	Max.10
Terminal	M3 compression terminal

Circuit and Pin Connection



Bit Format

Signal	RS-422 / RS-485
1	SDA < SDB RDA < RDB
0	SDA > SDB RDA > RDB



Switching between RS-422 and RS-485

Switching between RS-422 and RS-485 is performed by the function setting F-47.

For details on the setting procedure, refer to the AD-4329A instruction manual.

Item	Parameter	Description
RS-422 / RS-485	F-47 0	RS-422 (Factory setting)
	F-47 1	RS-485

Data format and commands are the same as those of RS-232C. For details, refer to the description of RS-232C in the AD-4329A instruction manual.

Connection example

**Note: Signal polarities (A, B) of some host computers may be reversed.
SG is not available for some host computers.**

