

# AD-4329A-01

## BCD OUTPUT

### INSTRUCTION MANUAL



1WMPD4003007

---

© 2014 A&D Company Ltd. All rights reserved.

No part of this publication may be reproduced, transmitted, transcribed, or translated into any language in any form by any means without the written permission of A&D Company Ltd.

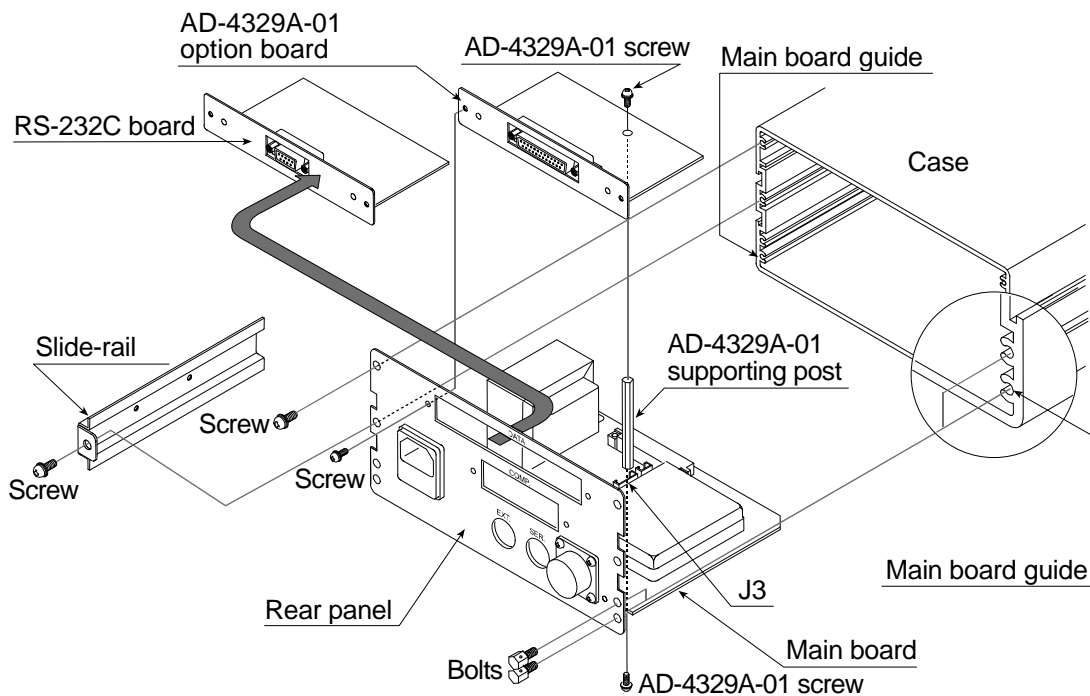
The contents of this manual and the specifications of the instrument covered by this manual are subject to change for improvement without notice.

# 1. Installation

Install the AD-4329A-01 option board as described below:

**Note: The supporting post, the two screws to fasten the post and the cable are provided with the AD-4329A-01 option board.**

1. Remove the power cord and other cables from the indicator.
2. Remove four screws and four bolts from the rear panel.
3. Remove two slide-rails, one on each side.
4. Pull out the rear panel and main board from the case. Then the connector between the main board and the display board may be disconnected smoothly.
5. Remove two screws and the RS-232C board from the indicator's rear panel.
6. Install the AD-4329A-01 option board on the rear panel from inside. Fasten the board to the rear panel from outside, using the two screws removed in step 5. Then, place the supporting post on the main board. Fasten the post to the option board using the screws provided with the option board.
7. Connect the option cable to the option board connector and to the main board J3 connector, using much care as to the connector direction.
8. Insert the main board into the both main board guides. Then the connector between the main board and the display board is re-connected. If the rear panel will not close completely, retry step 8 to insert the main board correctly.
9. Attach both slide-rails. Fasten the rear panel using four screws and bolts removed in step 2.



**Note: Do not remove or loosen any screws other than those described above.**

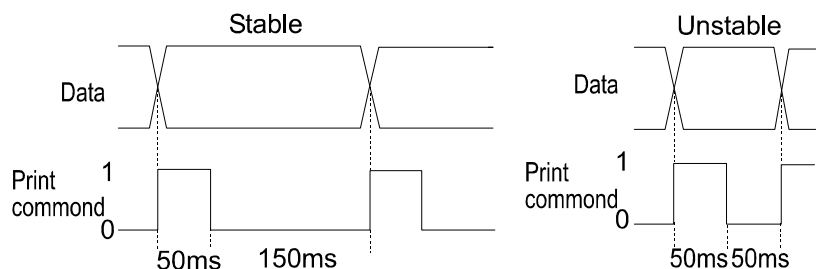
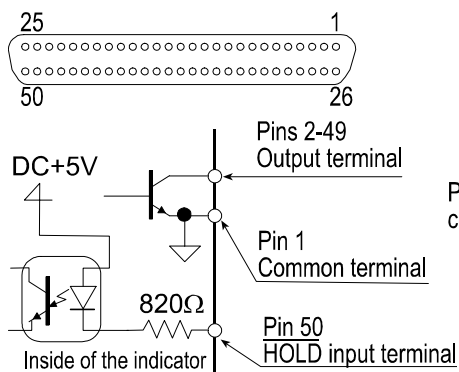
## 2. Specifications

AD-4329A-01	BCD output
Applicable connector	57-30500 manufactured by DDK Ltd or equivalent (One connector provided)
Output voltage	35VDC max.
Maximum current	30mA
Output saturation voltage	1.6V max.
Open collector output	(TTL level output available. For details, contact your local sales representative.)

### Related settings

Item	Parameter	Description	
Output data	F-50 0	Displayed value	
	F-50 1	Gross data	
	F-50 2	Net data	
	F-50 3	Tare value	
Output mode	F-51 0	Stream mode	Outputs each time the display is refreshed.
	F-51 1	Auto print mode	For details, refer to the AD-4329A instruction manual.
	F-51 2	Manual print mode	For details, refer to the AD-4329A instruction manual
Auto print condition	F-52 0	Positive data only	
	F-52 1	Positive and negative data	
Output logic	F-53 0	Negative logic	When data is "1", transistor is "ON". When the display is blank, transistor is "OFF".
	F-53 1	Positive logic	When data is "0", transistor is "ON". When the display is blank, transistor is "OFF".
Print command logic	F-54 0	Negative logic	
	F-54 1	Positive logic	

### Output circuit and print command timing



The data is read at the fall of the print command, as the data is not definite before and after the rise of the print command. The data is also considered valid if read twice and it remains the same.

## Terminals

Note: Make connections only to the pins listed below.

Pin No.	Direction	BCD code	Description																								
2	Output	1	<table> <thead> <tr> <th>Value</th> <th>BCD code</th> </tr> </thead> <tbody> <tr><td>0:</td><td>0000</td></tr> <tr><td>1:</td><td>0001</td></tr> <tr><td>2:</td><td>0010</td></tr> <tr><td>3:</td><td>0011</td></tr> <tr><td>4:</td><td>0100</td></tr> <tr><td>5:</td><td>0101</td></tr> <tr><td>6:</td><td>0110</td></tr> <tr><td>7:</td><td>0111</td></tr> <tr><td>8:</td><td>1000</td></tr> <tr><td>9:</td><td>1001</td></tr> <tr><td>OVER:</td><td>1111</td></tr> </tbody> </table>	Value	BCD code	0:	0000	1:	0001	2:	0010	3:	0011	4:	0100	5:	0101	6:	0110	7:	0111	8:	1000	9:	1001	OVER:	1111
Value	BCD code																										
0:	0000																										
1:	0001																										
2:	0010																										
3:	0011																										
4:	0100																										
5:	0101																										
6:	0110																										
7:	0111																										
8:	1000																										
9:	1001																										
OVER:	1111																										
3	Output	2																									
4	Output	4																									
5	Output	8																									
6	Output	1																									
7	Output	2																									
8	Output	4																									
9	Output	8																									
10	Output	1																									
11	Output	2																									
12	Output	4																									
13	Output	8																									
14	Output	1																									
15	Output	2																									
16	Output	4																									
17	Output	8																									
18	Output	1																									
19	Output	2																									
20	Output	4																									
21	Output	8																									
22	Output	1																									
23	Output	2																									
24	Output	4																									
25	Output	8																									
47	Output	OVER	OVER: 0																								
42	Output	Polarity	+: 1, -: 0																								
33	Output	STABLE	Stable: 1																								
27	Output	NET	Net output: 1																								
43	Output	Decimal point $10^1$	Decimal point : Relevant digit only: 0																								
44	Output	Decimal point $10^2$																									
45	Output	Decimal point $10^3$																									
46	Output	Decimal point $10^4$																									
34	Output	UNIT1	kg : UNIT1=0, UNIT2=0																								
35	Output	UNIT2	t : UNIT1=1, UNIT2=0																								
49	Output	Print command	1:Data confirmation																								
1	—	Common	Input/output common terminal																								
50	Input	HOLD																									