

Setup

=====

1. WinCT-ParamSet

-----

This software, “Windows Communication Tools for Parameter Setting” (“WinCT-ParamSet”), can Change the internal settings of A&D electronic balances on a PC.  
Below are instructions for installation and use of WinCT-ParamSet.

=====

2. System Requirements

-----

2-1. PC

Supported OS Microsoft Windows 10 / Windows 8.1

RS-232C interface or USB port with serial/USB converter.

- If the PC does not have an RS-232C (COM) port, a USB port can be used with the separately-sold serial/USB converter with cable to add a COM port.
- When connecting with the GX-AE/GX-A/GF-A series USB interface, the RS-232C interface is not required.

2-2. Balance

Weighing instrument	Model	Software Version
Precision balances	BA series	Available in all versions
	GX-AE/GX-A/GF-A series	1.400 or later
	GX-M/GF-M series	Available in all versions
	FZ-i/FX-i series	4.310 or later

- In order to check software version of balance, please refer to instruction manual of the balance.

---

---

### 3. Installation Instructions

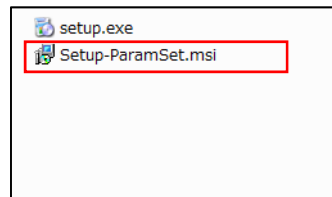
---

#### 3-1. Preparation

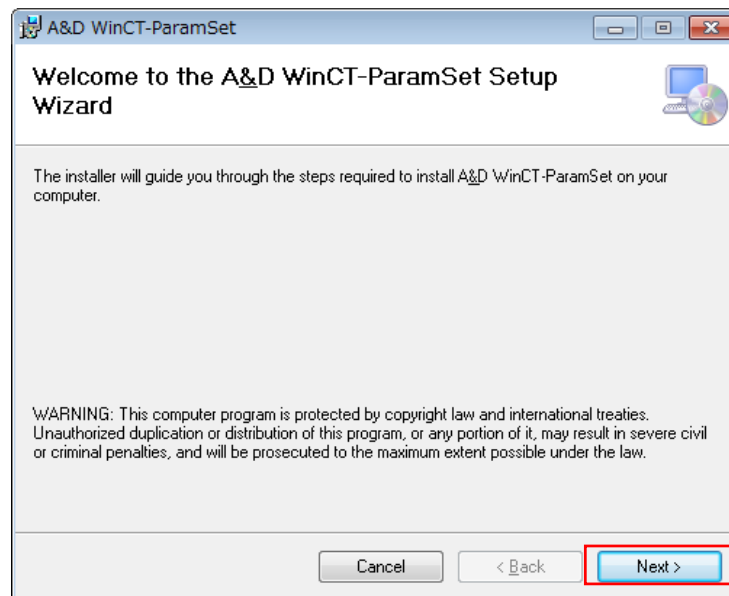
- 1) Before setting up WinCT-ParamSet, back up critical data on the PC.
- 2) Close all applications.

#### 3-2. WinCT-ParamSet installation

Step1 Run Setup-ParamSet.msi.



Step2 Install WinCT-ParamSet following the instructions on the screen.

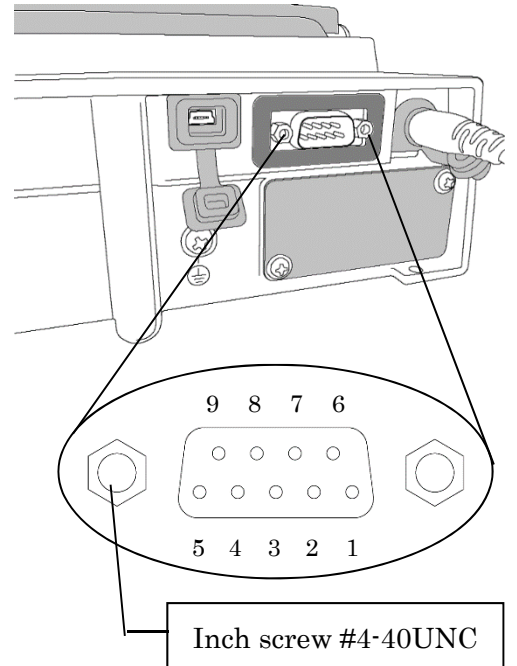


4. How to connect

4-1. Connecting the weighing instrument to a PC with RS-232C

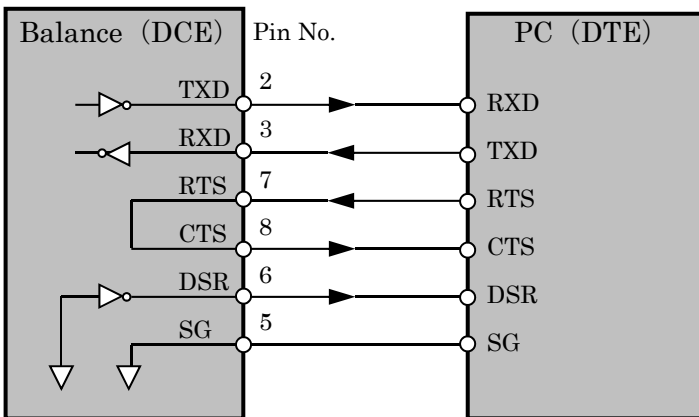
D-Sub 9-pin arrangement

Pin No.	Signal name	Direction	Meaning, remarks
1	-	-	N.C. (same potential with SG)
2	TXD	Output	Transmitted data
3	RXD	Input	Received data
4	-	-	N.C.
5	SG	-	Signal ground
6	DSR	Output	Data set ready
7	RTS	Input	Request to send
8	CTS	Output	Clear to send
9	-	Output	N.C. (12V output)



DTE signal names (except TXD and RXD)

Connection diagram (when connecting to a PC)



1) If the PC is equipped with an RS-232C port:

After checking the D-Sub 9-pin arrangement of the weighing instrument and the pin arrangement of the PC, connect with an appropriate RS-232C cable.

2) If the PC is not equipped with an RS-232C port, or if you want to use the PC's USB port:

- Required cable AX-USB-9P USB converter and cable set

(The USB driver must be installed)

- Installing the driver

(1) Connect the USB converter to the PC's USB port.

(2) Install the driver on the PC.

For installation, please refer to the instruction manual of the USB converter.

(3) Connect the USB converter to the measuring device with the included RS-232C cable.

The COM port name will be "USB Serial Port".

#### 4-2. Connecting the weighing instrument to a PC with USB. (Only for the GX-AE/GX-A/GF-A series)

- Required cable … USB cable supplied with the balance (The driver installation is required.)

- Preparation … Change the balance's internal settings to 'Virtual COM' mode.

- (1) Set the balance to the weighing  $^{\circ}$  0.000 g mode
- (2) Press and hold the **SAMPLE** key (approx. 2sec.) to display **bASFunc**
- (3) Press the **SAMPLE** key several times and press the **PRINT** key with **USB**.
- (4) **UFnc** is displayed. Press **RE-ZERO** key several times to display **UFnc V<sub>COM</sub>**.
- (5) Press the **PRINT** key to return to the internal settings.
- (6) Press the **CAL** key from **RPFunc** to return to weighing display.

- Installing the driver

Windows 10:

When you connect the GX-AE/GX-A/GF-A to the PC, the driver is installed automatically.  
The device name is "USB Serial Device" .

Windows 8.1:

- (1) Extract the compressed folder "GXA\_GFA\_DRIVER" downloaded from our website (<http://www.aandd.jp/>).
- (2) Please refer to "GX-A/GF-A series USB interface How to install the Virtual COM mode driver" in the folder for installation.

The device name is "AND USB Port for Balance" .

Note

- For weighing instruments other than GX-AE/GX-A/GF-A series, please refer to the manual of the intended model.
- Operation with this software is not guaranteed when connected to a balance made by another company.
- For details on the PC, please contact each manufacturer.

---

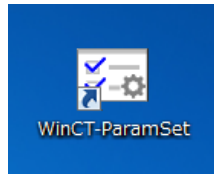
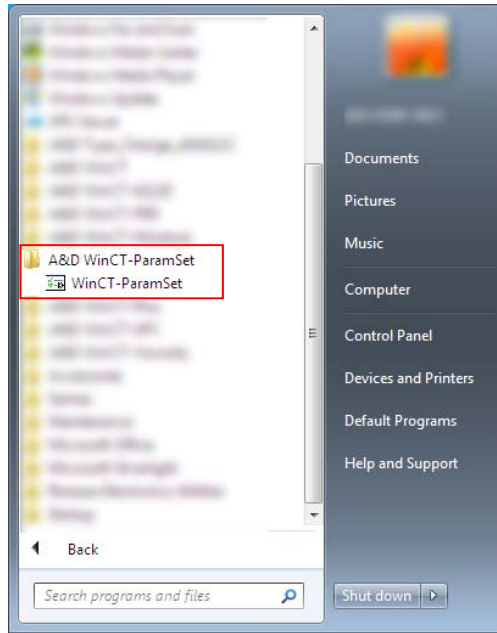
## 5. Starting WinCT-ParamSet

---

To begin, click the **Start** button on the PC.

Then, navigate to **All Programs > A&D WinCT-ParamSet > WinCT-ParamSet** to start WinCT-ParamSet.

Also, you can start by double-clicking the WinCT-ParamSet icon on the desktop.



Refer to the WinCT-ParamSet Instruction Manual located in the WinCT-ParamSet install folder for more information.

---

## 6. Uninstallation Instructions

---

Use the "Add/Remove Programs" icon in the control panel to remove this program from your PC.

---

---

## 7. License Agreement and Limited Warranty

---

- WinCT-ParamSet is subject to change without notice and does not represent a commitment by A&D to support earlier versions or to make changes to support non standard computers.
- WinCT-ParamSet is intended for the transmission of data from an A&D balance to a PC, and command transmission for controlling the balance.
- Under copyright laws, the WinCT-ParamSet program may not be copied, in whole or part, without the consent of A&D, except as specified in the license agreement.
- WinCT-ParamSet should only be installed on the hard disk or peripheral storage devices of a PC connected to an A&D weighing instrument.
- A&D bears no liability for direct, indirect, special, incidental, or consequential damages resulting from any defect in the WinCT-ParamSet program or the readme file, even when advised of the possibility of such damage.
- A&D is not responsible or liable for the loss of any programs and/or data stored in the PC on Which WinCT-ParamSet was installed, including the costs of recovering said lost programs or data.

Microsoft and Windows are trademarks or registered trademarks of Microsoft Corporation.

11/2020

A&D